

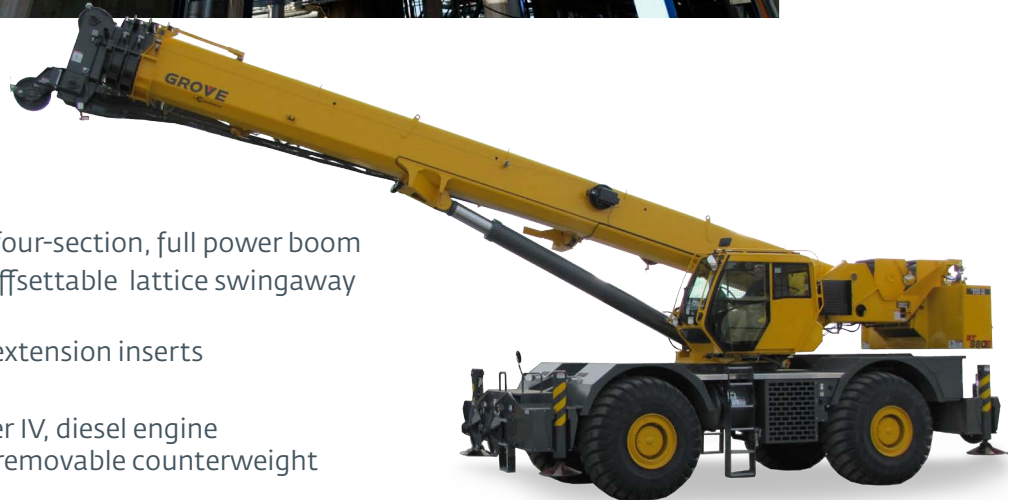
Grove RT880E

Product Guide



Features

- 75 t (80 USt) capacity
- 12,6 m - 39,0 m (41 ft - 128 ft) four-section, full power boom
- 10,0 m - 17,0 m (33 ft - 56 ft) offsettable lattice swingaway extension
- 6,1 m (20 ft) or 12,2 m (40 ft) extension inserts
- Grove MEGAFORM™ boom
- Cummins 205 kW (275 hp) Tier IV, diesel engine
- 8165 kg (18,000 lb) hydraulic removable counterweight



Features



Boom

The 39,0 m (128 ft) four-section full power MEGAFORM™ boom eliminates weight and increases capacity compared to conventional boom shapes.



Engine (Tier IV)

Meets U.S. E.P.A. emissions standards. Requires "Ultra Low" sulphur diesel fuel.



Cab

For improved operator comfort and visibility of the boom load, the cab can be tilted up to 20°.



Extensions

Maximum tip height of 70,6 m (232 ft) with 17,0 m (56 ft) bi-fold and two 6,1 m (20 ft) inserts.

Contents

| | |
|----------------------------|----|
| Specifications | 4 |
| Dimensions and weights | 7 |
| Working range | 8 |
| Load charts | 9 |
| Working range with inserts | 11 |
| Load chart with inserts | 13 |
| Load handling | 15 |
| Symbols glossary | 16 |

Specifications

Superstructure



Boom

12,6 m - 39,0 m (41 ft - 128 ft) four-section, sequenced synchronized full power boom. Maximum tip height: 41,9 m (138 ft).



Lattice extension

10,0 m - 17 m (33 ft - 56 ft) offsettable bi-fold lattice swingaway extension. Offsets 0°, 20°, and 40°. Stows alongside base boom section. Maximum tip height: 58,6 m (192 ft).



*Optional lattice extension inserts

(2) x 6,1 m (20 ft) lattice extension inserts. Installs between the boom nose and bi-fold extension, non-stowable. Maximum tip height: 70,6 m (232 ft).



Boom nose

Four nylatron sheaves mounted on heavy-duty tapered roller bearings with removable pin-type rope guards. Quick-reeving type boom nose. Removable auxiliary boom nose with removable pin type rope guard.



Boom elevation

One double-acting hydraulic cylinder with integral holding valve provides elevation from -3° to +78°.



Load moment and anti-two block system

Standard “Graphic Display” load moment and anti-two block system with audio-visual warning and control lever lockout. These systems provide electronic display of boom angle, length, radius, tip height, relative load moment, maximum permissible load, load indication and warning of impending two-block condition. The standard Work Area Definition System allows the operator to pre-select and define safe working areas. If the crane approaches the pre-set limits, audio-visual warnings aid the operator in avoiding job-site obstructions.



Cab

20° tilt, Full-vision, all-steel fabricated with acoustical lining and tinted safety glass throughout. Deluxe seat incorporates single-axis hydraulic controllers. Tilt/telescoping steering wheel with various controls incorporated into the steering column. Other standard features include: hot water heater, cab circulating air fan, sliding side and rear windows, sliding skylight with electric wiper and sunscreen, electric windshield wash/wipe, fire extinguisher, seat belt, air conditioning, and dual cab mounted work light.



Swing

Two speed, planetary swing drive with foot-applied multi-disc wet brake. Spring applied, hydraulically-released swing brake. Single position mechanical house lock, operated from cab. Maximum speed: 2.0 rpm.



Counterweight

8165 kg (18,000 lb). Hydraulically installed and removed.



Hoist specifications (HP30-19G) Main and auxiliary hoist

Planetary reduction with automatic spring applied multi-disc wet brake. Electronic hoist drum rotation indicators and hoist drum cable followers.

Maximum single line pull:

1st layers: 9185 kg (20,250 lb)

3rd layer: 7715 kg (17,010 lb)

5th layer: 6650 kg (14,660 lb)

Maximum permissible line pull:

7620 kg (16,800 lb) with 6 x 37 class rope

7620 kg (16,800 lb) with 35 x 7 class rope

Maximum single line speed: 156 m/min (514 fpm)

Rope construction:

6 x 36 EIPS IWRC, Special Flexible

35 x 7 Flex-X, Rotation Resistant

Rope diameter: 19 mm (3/4 in)

Rope length:

Main hoist: 182,8 m (600 ft)

Auxiliary hoist: 182,8 m (600 ft)

Maximum rope stowage: 256 m (841 ft)

Specifications

Carrier



Chassis

Box section frame fabricated from high-strength, low alloy steel. Front/rear towing, lifting, and tie down lugs.



Outrigger system

Four hydraulic telescoping single-stage double box beam outriggers with inverted jacks and integral holding valves. Three position setting, 0%, 50% and fully extended. All steel fabricated, quick-release type round outrigger floats, 775 mm (30.5 in) diameter. Maximum outrigger pad load: 56 700 kg (125,000 lb).



Outrigger controls

Controls and crane level indicator located in cab.



Engine (Tier IV)

Cummins QSB 6.7L diesel, six-cylinder, turbo-charged. 205 kW (275 bhp) at 2500 rpm.

Meets emission requirements per U.S. E.P.A., Tier IV and E.U. Stage III B.

Maximum torque: 992 Nm (732 ft lb) at 1500 rpm.

Fuel requirement: Minimum of 15 ppm sulphur content (Ultra Low Sulphur Diesel).

Note: Tier IV engine required in North American and European Union countries



Engine (Tier III)

Cummins QSB 6.7L diesel, six cylinders, 205 kW (275 bhp) (Gross) at 2500 rpm.

Maximum torque: 987 Nm (728 ft lb) at 1500 rpm.

Note: Required for sale outside of North American and European Union countries.



Fuel tank capacity

280 L (74 gal) - draw volume.



Transmission

Full rangeshift with 6 forward and 6 reverse speeds. Front axle disconnect for 4 x 2 travel.



Hydraulic system

Two main pumps ([1] piston and [1] gear) with a combined capacity of 503 LPM (133 GPM). Maximum operating pressure: 277,7 bar (4000 psi). Three section pressure compensated valve bank. Return line type filter with full flow by-pass protection and service indicator. Replaceable cartridge with micron filtration rating of 5/12/16. 959 L (253 gal) hydraulic reservoir. Carrier mounted oil cooler with thermostatically controlled hydraulic motor driven fan/air to oil. System pressure test ports.



Electrical system

Two 12-V maintenance free batteries. 12-V starting and lighting. Battery disconnect. CanBus Diagnostic system.



Drive

4 x 4



Steering

Fully independent power steering:

Front: Full hydraulic, steering wheel controlled.

Rear: Full hydraulic, switch controlled.

Provides infinite variations of 4 main steering modes: front only, rear only, crab and coordinated.

Rear steer indicator.

Turning radius - 25 ft.



Axles

Front: Drive/steer with differential and planetary reduction hubs rigid-mounted to frame.

Rear: Drive/steer with differential and planetary reduction hubs pivot-mounted to frame.



Oscillation lockouts

Automatic full hydraulic lockouts on rear axle permits 25,4 cm (10 in) oscillation only with boom centered over the front.

Specifications

Carrier continued

Brakes

Full hydraulic split circuit brakes operating on all wheels. Spring-applied, hydraulically released parking brake mounted on front axle.

Tires

Std. 29.5 x 25 - 34 bias ply, Titan.

Lights

Full lighting including turn indicators, head, tail, brake and hazard warning lights.

Maximum speed

35 kph (22 mph).

Gradeability (theoretical)

75% (Based on 49 060 kg [108,158 lb] G.V.W) 29.5 x 25 tires, 39,0 m (128 ft) boom, plus 17,0 m (56 ft) swingaway, 8165 kg (18,000 lb) counterweight, 80 USt hookblock and 10 Ust headache ball).

Miscellaneous standard equipment

Full width steel fenders, full length aluminum decking, dual rear view mirrors, hookblock tiedown, electronic back-up alarm, light package, front stowage well, tachometer/hourmeter, rear wheel position indicator, 36,000 BTU hot water cab heater, air conditioning, hoist mirrors, engine distress A/V warning system, front/rear lift tie down lugs, coolant sight level indicator.

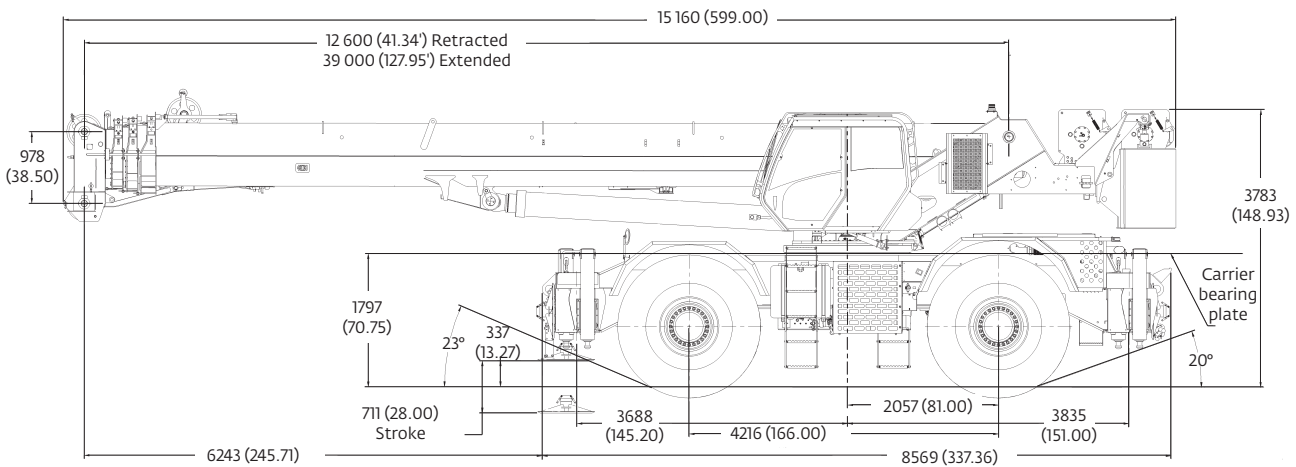
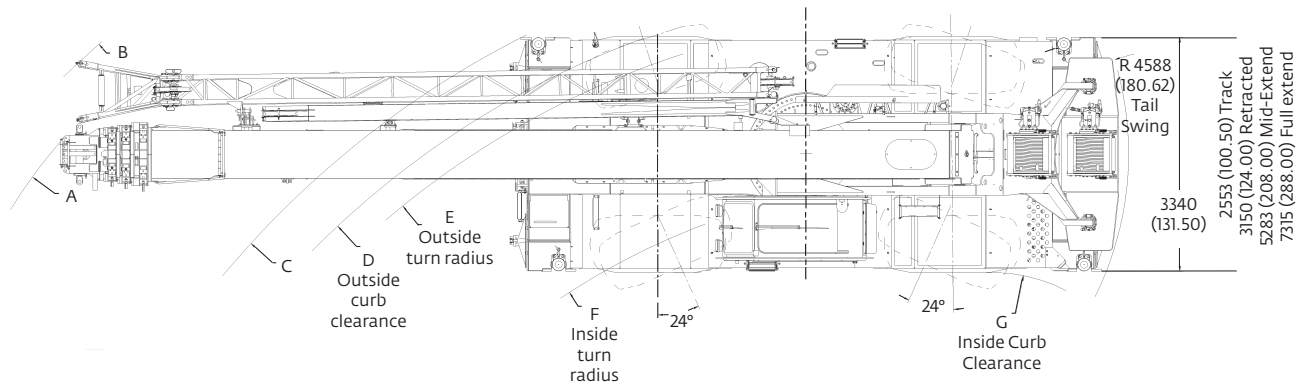
*Optional equipment

- ▶ **Auxiliary Lighting and Convenience Package:** Includes superstructure mounted amber flashing light, dual base boom mounted floodlights, in-cab LMI light bar, and rubber mat for stowage trough.
- ▶ **Value Package:** Includes manual offsettable bi-fold, 360° swing lock, and auxiliary hoist package
- ▶ **Auxiliary Hoist Package:** Includes auxiliary hoist with electronic drum rotation indicator, cable follower, 185 m (607 ft) wire rope and hoist mirror.
- ▶ 360° NYC style mechanical swinglock
- ▶ Rear Pintle hook
- ▶ Cab controlled cross axle differential locks, (front and rear)
- ▶ Event recorder
- ▶ Third wrap indicator for main hoist or main and auxiliary hoist
- ▶ Wireless windspeed
- ▶ C.E. Mark conformance

Dimensions and weights

Dimensions

| Tire size | A | B | C | D | E | F | G | A | B | C | D | E | F | G |
|-----------|-------------------|-------------------|-------------------|-------------------|-------------------|-------------------|------------------|-------------------|-------------------|------------------|------------------|------------------|------------------|------------------|
| 29.5 X 25 | 16.6 m (54.5') | 17.2 m (56.4') | 13.6 m (44.7') | 12.9 m (42.4') | 12.5 m (41.0') | 12.5 m (33.2') | 8.8 m (28.8') | 11.1 m (36.5') | 11.6 m (38.1') | 8.4 m (28.0') | 7.8 m (25.7') | 7.3 m (24.0') | 4.9 m (16.2') | 4.1 m (13.5') |
| | 2 Wheel Steer | | | | | | | 4 Wheel Steer | | | | | | |



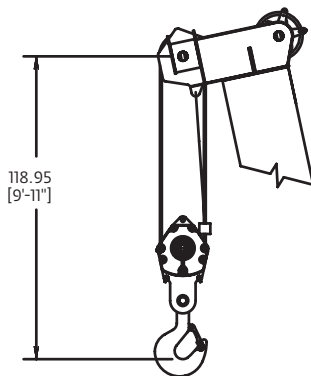
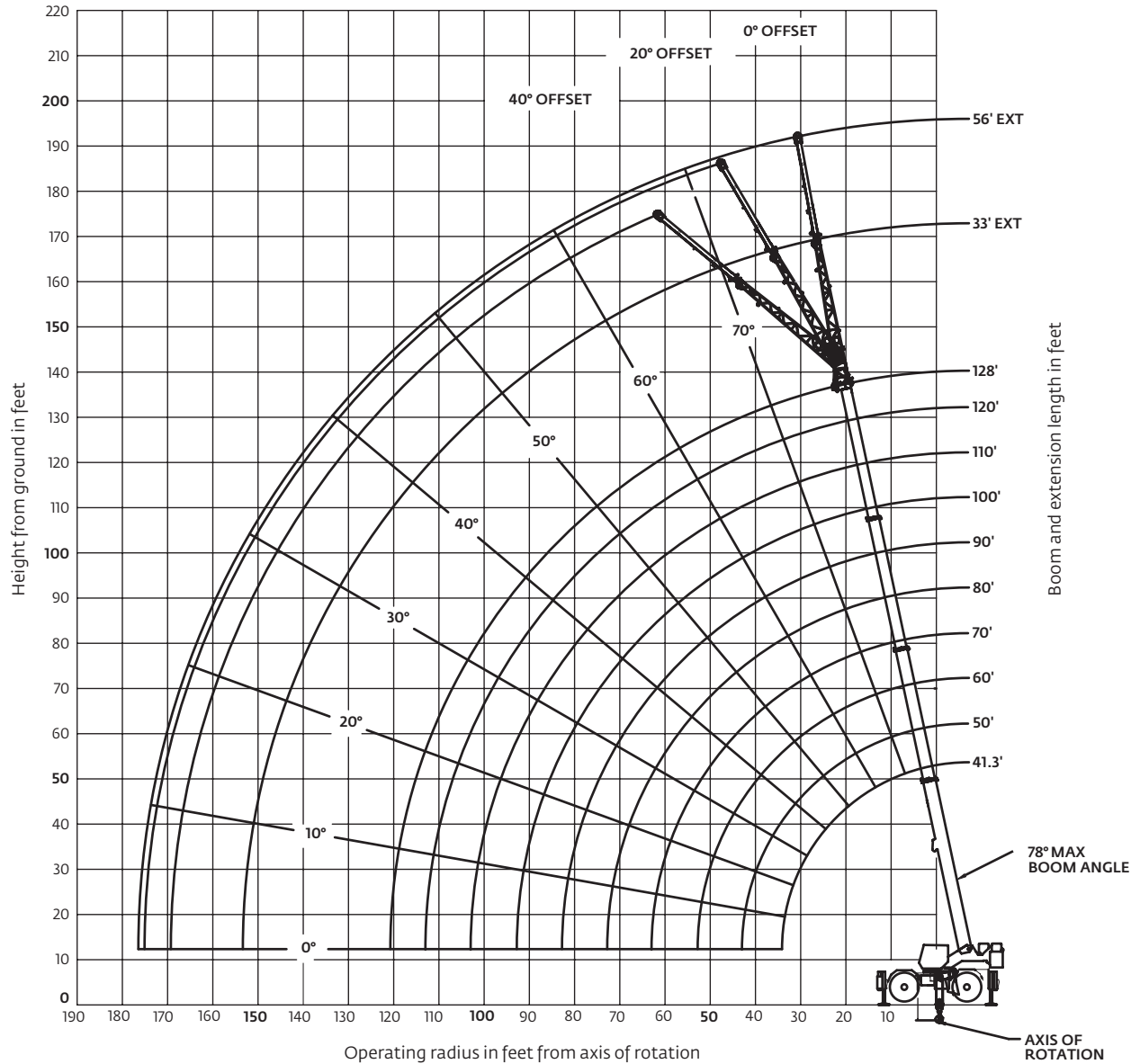
All dimensions are in mm (in)

Weights

| | G.V.W. kg (lb) | Front kg (lb) | Rear kg (lb) |
|---|---------------------|--------------------|--------------------|
| Basic Machine: Including 39, 0 m (128 ft) main boom, main and aux. hoist with 182,8 m (600 ft) of rope, manual offsettable bifold swingaway, full counterweight, 9,1 t (10 USt) headache ball, and 75 t (80 USt) hookblock, air conditioning, aux. nose: | 49 588 (109,321) | 24 474 (53,956) | 25 114 (55,365) |
| Remove: Counterweight and aux. hoist (manual offsettable S/A). | 40 428 (89,128) | 28 850 (63,602) | 11 579 (25,526) |
| Remove: Counterweight, aux. hoist, and manual offsettable S/A | 39 229 (86,483) | 26 692 (58,845) | 12 537 (27,638) |

Working range

Working range diagram with bi-fold extension



Dimensions are for largest Grove furnished hookblock and overhaul ball, with anti-two block activated.

THIS CHART IS ONLY A GUIDE AND SHOULD NOT BE USED TO OPERATE THE CRANE.

The individual crane's load chart, operating instructions and other instructional plates must be read and understood prior to operating the crane

RT880E load chart

41.3 ft - 128 ft
 18,000 lb
 100%
 360°
 24 ft spread

| Feet | Main boom length in feet | | | | | | | | | |
|------|---------------------------|-----------------------|-----------------------|-----------------------|------------------|------------------------|------------------------|------------------------|------------------------|------------------------|
| | 41.3 | 50 | 60 | **70 | 80 | 90 | 100 | 110 | 120 | 128 |
| 10 | ++160,000 (71) | 124,000 (74.5) | 105,500 (77.5) | | | | | | | |
| 12 | +150,000 (67.5) | 124,000 (72) | 105,500 (75.5) | 59,500 (78) | | | | | | |
| 15 | 130,000 (63) | 124,000 (68.5) | 104,000 (72.5) | 59,500 (75.5) | 42,100 (78) | *42,000 (78) | | | | |
| 20 | 100,000 (54.5) | 99,850 (62) | 85,900 (67.5) | 59,500 (71) | 42,100 (74) | 42,000 (76) | *39,650 (78) | *31,950 (78) | | |
| 25 | 80,550 (44.5) | 80,250 (55) | 72,550 (62) | 57,050 (66.5) | 42,100 (70) | 42,000 (73) | 39,650 (75) | 31,950 (77) | *25,750 (78) | *22,000 (78) |
| 30 | 59,050 (31.5) | 58,150 (47) | 57,850 (56) | 49,300 (62) | 42,100 (66) | 39,050 (69.5) | 36,150 (72) | 31,950 (74) | 25,750 (76) | 22,000 (77) |
| 35 | | 43,250 (37.5) | 43,000 (49.5) | 42,600 (57) | 38,150 (62) | 34,100 (66) | 31,350 (68.5) | 29,300 (71.5) | 25,750 (73.5) | 22,000 (74.5) |
| 40 | | 33,600 (24.5) | 33,400 (42.5) | 32,950 (52) | 33,750 (58) | 30,050 (62) | 27,500 (65.5) | 25,650 (68.5) | 23,900 (71) | 22,000 (72.5) |
| 45 | | | 26,600 (34) | 26,200 (46) | 27,400 (53) | 26,750 (58.5) | 24,400 (62) | 22,700 (65.5) | 21,450 (68) | 20,650 (70) |
| 50 | See Note 16 | | 21,600 (22) | 21,150 (39.5) | 22,450 (48.5) | 23,250 (54.5) | 21,850 (59) | 20,250 (62.5) | 19,100 (65.5) | 18,350 (67.5) |
| 55 | | | | 17,250 (31.5) | 18,650 (43) | 19,400 (50) | 19,700 (55) | 18,200 (59.5) | 17,100 (63) | 16,400 (65) |
| 60 | | | | 14,200 (21) | 15,600 (37) | 16,400 (45.5) | 17,050 (51.5) | 16,450 (56) | 15,450 (60) | 14,750 (62.5) |
| 65 | | | | | 13,100 (29.5) | 13,850 (40.5) | 14,550 (47.5) | 14,950 (53) | 14,000 (57) | 13,350 (59.5) |
| 70 | | | | | 11,050 (19) | 11,800 (34.5) | 12,450 (43) | 12,900 (49.5) | 12,700 (54) | 12,150 (57) |
| 75 | | | | | | 10,000 (28) | 10,700 (38.5) | 11,200 (45.5) | 11,600 (51) | 11,050 (54) |
| 80 | | | | | | 8540 (18) | 9170 (33) | 9670 (41.5) | 10,150 (47.5) | 10,100 (51) |
| 85 | | | | | | | 7860 (26.5) | 8360 (37) | 8850 (44) | 9180 (48) |
| 90 | | | | | | | 6710 (17.5) | 7210 (32) | 7700 (40) | 8050 (44.5) |
| 95 | | | | | | | | 6200 (25.5) | 6700 (35.5) | 7050 (41) |
| 100 | | | | | | | | 5310 (17) | 5800 (30.5) | 6160 (37) |
| 105 | | | | | | | | | 5010 (25) | 5360 (32.5) |
| 110 | | | | | | | | | 4290 (16.5) | 4640 (27.5) |
| 115 | | | | | | | | | | 4000 (21.5) |
| 120 | | | | | | | | | | 3410 (10.5) |

Minimum boom angle (°) for indicated length (no load) 9

Maximum boom length (ft) at 0° boom angle (no load) 120

#LMI operating code. Refer to LMI manual for instructions.

*This capacity is based upon maximum obtainable boom angle.

Note: () Boom angles are in degrees.

+9 parts line required to lift this capacity (using aux. boom nose). Refer to Operator's & Safety Handbook for reeving diagram.

++ 10 parts line required to lift this capacity (using aux. boom nose). Refer to Operator's & Safety Handbook for reeving diagram.

Lifting capacities at zero degree boom angle

| Boom angle | Main boom length in feet | | | | | | | | | |
|------------|--------------------------|------------------|------------------|--------------|----------------|----------------|----------------|-----------------|-----------------|--|
| | 41.3 | 50 | 60 | **70 | 80 | 90 | 100 | 110 | 120 | |
| 0° | 20,750 (34.1) | 15,150 (42.8) | 10,500 (52.8) | 6700 (63) | 5100 (72.8) | 3900 (82.8) | 2900 (92.8) | 2000 (102.8) | 1300 (112.8) | |

Note: () Reference radii in feet.

**This boom length is with inner-mid fully extended and outer-mid & fly fully retracted.

80001982

NOTES:

- All capacities above the bold line are based on structural strength of boom extension and do not exceed 85% of tipping loads, in accordance with SAE J-765.
- The 33 ft extension length may be used with single or double part line lifting service. The 56 ft extension length may be used for single line lifting service only.
- For main boom lengths less than 128 ft with the boom extension erected, the rated loads are determined by boom angle. Use only the column which corresponds to the boom extension length and offset for which the machine is set up. For boom angles not shown, use the rating of the next lower boom angle.
- WARNING:** Operation of this machine with heavier loads than the capacities listed is strictly prohibited. Machine tipping with boom extension occurs rapidly and without advance warning.
- Boom angle is the angle above or below horizontal of the longitudinal axis of the boom base section after lifting rated load.
- Capacities listed are with outriggers properly extended and vertical jacks set only.
- When lifting over the main boom nose with 33 ft or 56 ft extension erected, the outriggers must be fully extended or 50% extended (17 ft 4 in spread).

THIS CHART IS ONLY A GUIDE AND SHOULD NOT BE USED TO OPERATE THE CRANE.

The individual crane's load chart, operating instructions and other instructional plates must be read and understood prior to operating the crane

RT880E load chart

 41.3 ft - 128 ft
  33 ft - 56 ft
  18,000 lb
  100%
  360°
 24 ft spread

| | | Pounds | | | | | |
|---|--------|---------------|---------------|-------------|--------------|-------------|-------------|
| | | 33 ft LENGTH | | | 56 ft LENGTH | | |
| Feet | Offset | 0° | 20° | 40° | 0° | 20° | 40° |
| | | #0021 | #0022 | #0023 | #0041 | #0042 | #0043 |
| 35 | | 11,900 (78) | | | | | |
| 40 | | 11,900 (77) | | | 6060 (78) | | |
| 45 | | 11,900 (75.5) | *11,900 (78) | | 6060 (77.5) | | |
| 50 | | 11,900 (73.5) | 10,600 (76.5) | *9790 (78) | 6060 (76) | | |
| 55 | | 11,900 (71.5) | 9770 (74.5) | 8470 (77) | 6060 (74.5) | | |
| 60 | | 11,000 (69.5) | 9020 (72.5) | 7920 (75) | 6060 (72.5) | *6060 (78) | |
| 65 | | 10,000 (67.5) | 8360 (70.5) | 7430 (73) | 6060 (71) | 5900 (76.5) | |
| 70 | | 9190 (65.5) | 7780 (68.5) | 6980 (71) | 6060 (69.5) | 5730 (75) | *5060 (78) |
| 75 | | 8460 (63.5) | 7260 (66.5) | 6580 (69) | 6060 (67.5) | 5330 (73) | 4640 (77) |
| 80 | | 7820 (61.5) | 6790 (64.5) | 6210 (66.5) | 6040 (66) | 4980 (71.5) | 4370 (75.5) |
| 85 | | 7250 (59.5) | 6370 (62) | 5870 (64.5) | 5570 (64) | 4650 (69.5) | 4120 (73.5) |
| 90 | | 6740 (57) | 5990 (60) | 5560 (62) | 5150 (62.5) | 4360 (67.5) | 3890 (71.5) |
| 95 | | 6290 (55) | 5640 (57.5) | 5280 (60) | 4780 (60.5) | 4090 (66) | 3680 (69.5) |
| 100 | | 5880 (52.5) | 5320 (55.5) | 5020 (57.5) | 4440 (58.5) | 3840 (64) | 3480 (67.5) |
| 105 | | 5510 (50) | 5030 (53) | 4770 (55) | 4130 (56.5) | 3610 (62) | 3300 (65.5) |
| 110 | | 5170 (47.5) | 4760 (50.5) | 4550 (52) | 3850 (54.5) | 3400 (60) | 3130 (63.5) |
| 115 | | 4830 (45) | 4510 (47.5) | 4340 (49.5) | 3590 (52.5) | 3200 (58) | 2970 (61) |
| 120 | | 4230 (42) | 4280 (45) | 4150 (46.5) | 3360 (50.5) | 3020 (55.5) | 2820 (59) |
| 125 | | 3690 (39) | 3960 (41.5) | | 3140 (48) | 2840 (53.5) | 2680 (56.5) |
| 130 | | 3200 (36) | 3430 (38.5) | | 2940 (46) | 2690 (51) | 2540 (54) |
| 135 | | 2740 (32) | 2930 (35) | | 2760 (43.5) | 2540 (48.5) | 2420 (51.5) |
| 140 | | 2320 (28) | 2480 (30.5) | | 2590 (41) | 2400 (46) | 2300 (48.5) |
| 145 | | 1940 (23) | | | 2430 (38.5) | 2270 (43.5) | |
| 150 | | 1580 (16.5) | | | 2070 (35.5) | 2140 (40.5) | |
| 155 | | | | | 1730 (32.5) | 2030 (37) | |
| 160 | | | | | 1420 (29) | 1710 (33.5) | |
| 165 | | | | | 1120 (24.5) | | |
| Minimum boom angle (°) for indicated length (no load) | | 15 | 28 | 44 | 23 | 31 | 46 |
| Maximum boom length (ft) at 0° boom angle (no load) | | | 110 | | | 110 | |

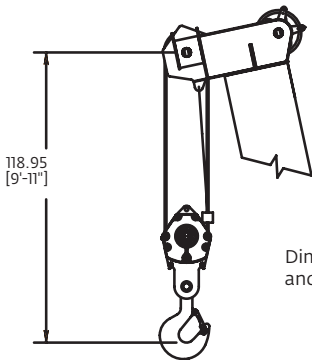
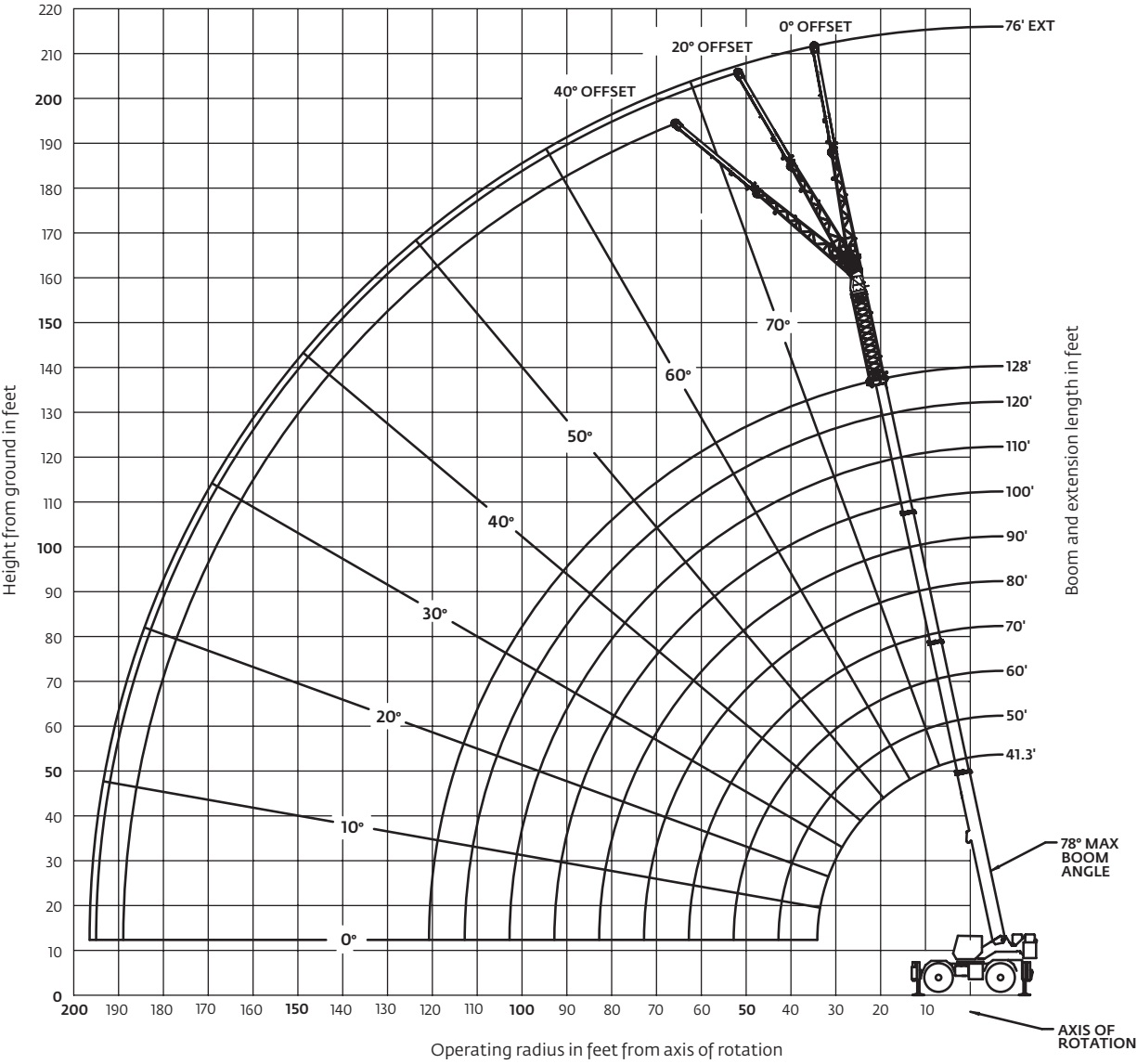
NOTE: () Boom angles are in degrees. A6-829-103653
 #LMI operating code. Refer to LMI manual for operating instructions.
 *This capacity is based upon maximum boom angle.

NOTES:

- All capacities above the bold line are based on structural strength of boom extension and do not exceed 85% of tipping loads, in accordance with SAE J-765.
- The 33 ft extension length may be used with single or double part line lifting service. The 56 ft extension length may be used for single line lifting service only.
- For main boom lengths less than 128 ft with the boom extension erected, the rated loads are determined by boom angle. Use only the column which corresponds to the boom extension length and offset for which the machine is set up. For boom angles not shown, use the rating of the next lower boom angle.
- WARNING:** Operation of this machine with heavier loads than the capacities listed is strictly prohibited. Machine tipping with boom extension occurs rapidly and without advance warning.
- Boom angle is the angle above or below horizontal of the longitudinal axis of the boom base section after lifting rated load.
- Capacities listed are with outriggers properly extended and vertical jacks set only.
- When lifting over the main boom nose with 33 ft or 56 ft extension erected, the outriggers must be fully extended or 50% extended (17 ft 4 in spread).

Working range

Working range diagram with bi-fold extension and one insert



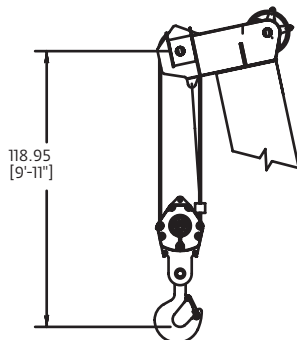
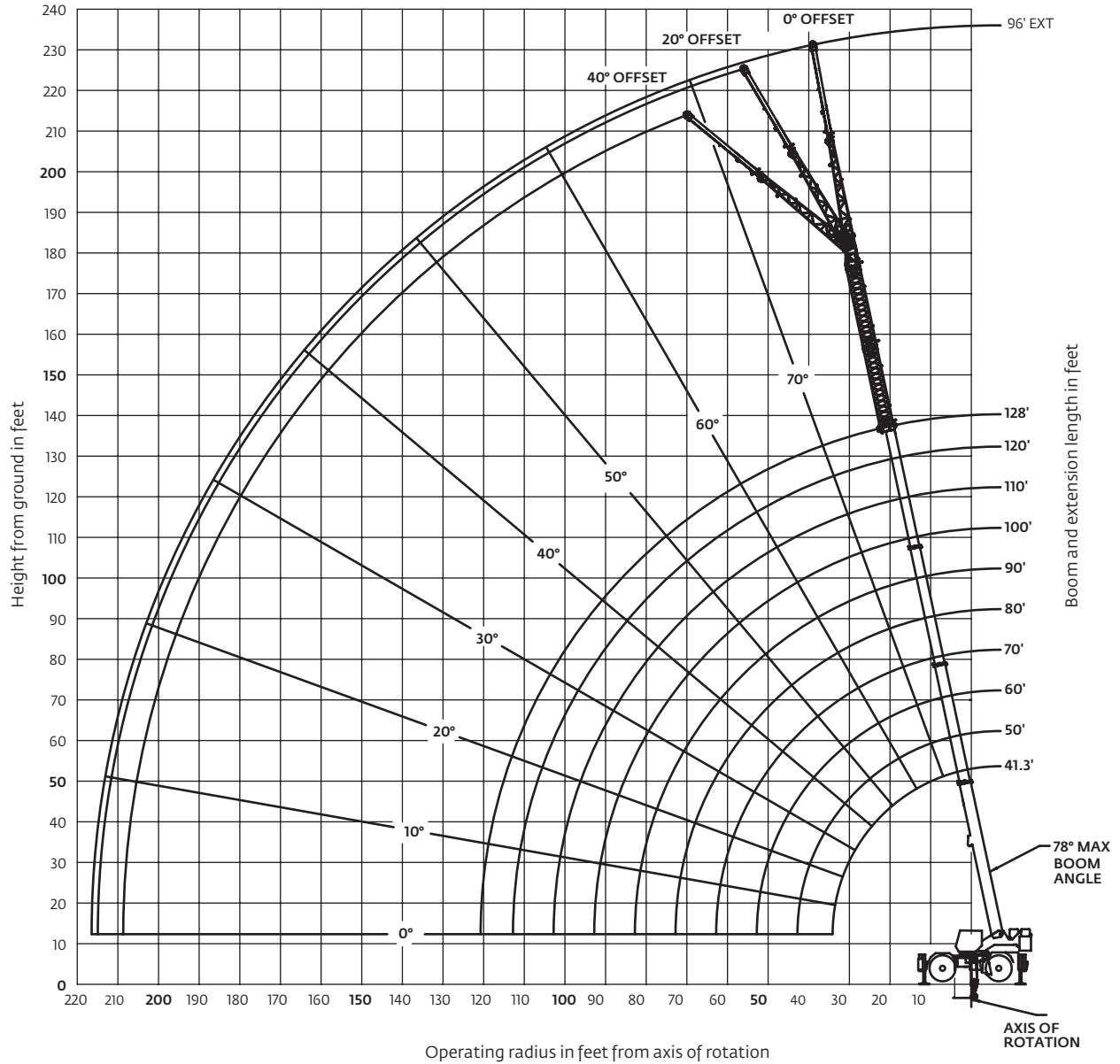
Dimensions are for largest Grove furnished hookblock and overhaul ball, with anti-two block activated.

THIS CHART IS ONLY A GUIDE AND SHOULD NOT BE USED TO OPERATE THE CRANE.

The individual crane's load chart, operating instructions and other instructional plates must be read and understood prior to operating the crane

Working range

Working range diagram with bi-fold extension and two inserts



Dimensions are for largest Grove furnished hookblock and overhaul ball, with anti-two block activated.

THIS CHART IS ONLY A GUIDE AND SHOULD NOT BE USED TO OPERATE THE CRANE.

The individual crane's load chart, operating instructions and other instructional plates must be read and understood prior to operating the crane.

RT880E load chart



| Feet | 76 ft (56 ft LENGTH + 1 INSERT) | | | 96 ft (56 ft LENGTH + 2 INSERTS) | | |
|---|---------------------------------|-----------------|-----------------|----------------------------------|-----------------|-----------------|
| | 0° | 20° | 40° | 0° | 20° | 40° |
| | OFFSET #0084 | OFFSET #0085 | OFFSET #0086 | OFFSET #0084 | OFFSET #0085 | OFFSET #0086 |
| 50 | 4850 (78) | | | | | |
| 55 | 4850 (77.5) | | | 3520 (78) | | |
| 60 | 4850 (76) | | | 3520 (77.5) | | |
| 65 | 4850 (74.5) | *5290 (78) | | 3520 (76.5) | | |
| 70 | 4850 (73) | 4860 (77.5) | | 3520 (75) | | |
| 75 | 4850 (71.5) | 4470 (76) | | 3520 (73.5) | 3740 (78) | |
| 80 | 4730 (70) | 4110 (74.5) | *4050 (78) | 3520 (72.5) | 3420 (76.5) | |
| 85 | 4310 (68.5) | 3790 (73) | 3500 (76.5) | 3300 (71) | 3100 (75) | *3250 (78) |
| 90 | 3940 (67) | 3500 (71) | 3260 (75) | 2970 (69.5) | 2820 (73.5) | 2720 (77) |
| 95 | 3610 (65.5) | 3240 (69.5) | 3030 (73) | 2660 (68) | 2560 (72) | 2490 (75.5) |
| 100 | 3310 (64) | 3000 (68) | 2830 (71.5) | 2390 (66.5) | 2320 (71) | 2270 (74) |
| 105 | 3040 (62) | 2770 (66) | 2630 (69.5) | 2140 (65) | 2100 (69.5) | 2070 (72) |
| 110 | 2790 (60.5) | 2570 (64.5) | 2450 (68) | 1920 (63.5) | 1900 (68) | 1890 (70.5) |
| 115 | 2560 (58.5) | 2370 (62.5) | 2280 (66) | 1710 (62) | 1710 (66.5) | 1710 (69) |
| 120 | 2350 (57) | 2200 (61) | 2120 (64) | 1520 (60.5) | 1540 (64.5) | 1550 (67.5) |
| 125 | 2160 (55) | 2030 (59) | 1970 (62) | 1350 (59) | 1380 (63) | 1390 (66) |
| 130 | 1990 (53) | 1880 (57) | 1830 (60) | 1190 (57.5) | 1230 (61.5) | 1250 (64) |
| 135 | 1820 (51.5) | 1730 (55) | 1700 (58) | 1040 (56) | 1080 (60) | 1110 (62.5) |
| 140 | 1670 (49.5) | 1590 (53) | 1570 (56) | | | |
| 145 | 1530 (47) | 1470 (51) | 1450 (53.5) | | | |
| 150 | 1400 (45) | 1340 (49) | 1340 (51.5) | | | |
| 155 | 1270 (43) | 1230 (46.5) | 1230 (48.5) | | | |
| 160 | 1160 (40.5) | 1120 (44) | 1130 (46) | | | |
| 165 | 1050 (38) | 1020 (41.5) | | | | |
| Minimum boom angle (°) for indicated length (no load) | 36 | 40 | 44 | 54 | 58 | 60 |

Maximum boom length (ft) at 0° boom angle (no load)

70

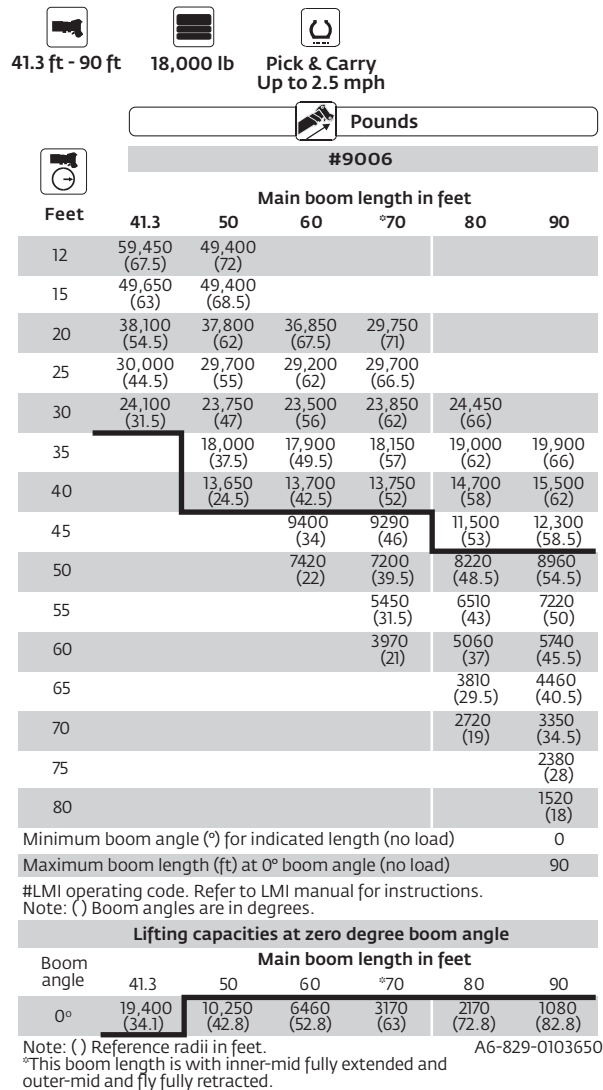
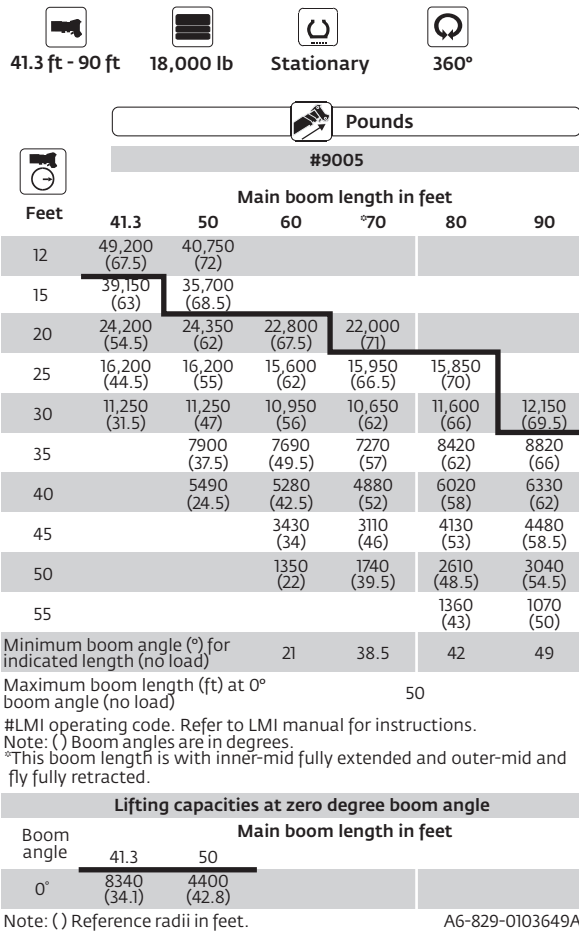
60

NOTE: () Boom angles are in degrees. A6-829-103655
 #LMI operating code. Refer to LMI manual for operating instructions.
 *This capacity is based upon maximum boom angle.
 RT875E - S/N 223983

NOTES:

- All capacities above the bold line are based on structural strength of boom extension and do not exceed 85% of tipping loads, in accordance with SAE J-765.
- The 56 ft boom extension length may be used for single line lifting service only.
- For main boom lengths less than 128 ft with the boom extension erected, the rated loads are determined by boom angle. Use only the column which corresponds to the boom extension length and offset for which the machine is set up. For boom angles not shown, use rating of the next lower boom angle.
- WARNING:** Operation of this machine with heavier loads than the capacities listed is strictly prohibited. Machine tipping with boom extension occurs rapidly and without advance warning.
- Boom angle is the angle above or below horizontal of the longitudinal axis of the boom base section after lifting rated load.
- When lifting over the main boom nose with 56 ft extension erected and inserts, the outriggers must be fully extended and vertical jacks set.

RT880E load charts



NOTES:

1. Capacities are in pounds and do not exceed 75% of tipping loads as determined by test in accordance with SAE J765.
2. Capacities are applicable to machines equipped with 29.6 x 25 (34 ply) General tires at 76 psi cold inflation pressure.
3. Capacities appearing above the bold line are based on structural strength and tipping should not be relied upon as a capacity limitation.
4. Capacities are applicable only with machine on firm level surface.
5. On rubber lifting with boom extensions not permitted.
6. For pick and carry operation, boom must be centered over front of machine, mechanical swing lock engaged and load restrained from swinging. When handling loads in the structural range with capacities close to maximum ratings, travel should be reduced to creep speeds.
7. Axle lockouts must be functioning when lifting on rubber.
8. All lifting depends on proper tire inflation, capacity and condition. Capacities must be reduced for lower tire inflation pressures. See lifting capacity chart for tire used. Damaged tires are hazardous to safe operation of crane.
9. Creep - Not over 200 ft of movement in any 30 minute period and not exceeding 1 mph.

THIS CHART IS ONLY A GUIDE AND SHOULD NOT BE USED TO OPERATE THE CRANE.

The individual crane's load chart, operating instructions and other instructional plates must be read and understood prior to operating the crane.

Load handling

Weight reductions for load handling devices

33 ft - 56 ft FOLDING BOOM EXTENSION

| | |
|------------------------------|-----------|
| *33 ft Extension (Erected) - | 3700 lb |
| *56 ft Extension (Erected) - | 7830 lb |
| *76 ft (1 insert Erected) - | 10,350 lb |
| *96 ft (2 inserts Erected) - | 13,300 lb |

*Reduction of main boom capacities
(no deduct required for stowed boom extension)

When lifting over swingaway and/or jib combinations, deduct total weight of all load handling devices reeved over main boom nose directly from swingaway or jib capacity.

AUXILIARY BOOM NOSE

136 lb

HOOKBLOCK AND OVERHAUL BALL:

| | |
|-----------------------|-----------|
| 80 USt, 5 Sheave | 1319 lb + |
| 40 USt, 3 Sheave | 1200 lb + |
| 10 USt, Overhaul Ball | 568 lb + |

+ Refer to rating plate for actual weight.

NOTE: All load handling devices and boom attachments are considered part of the load and suitable allowances MUST BE MADE for their combined weights. Weights are for Grove furnished equipment.

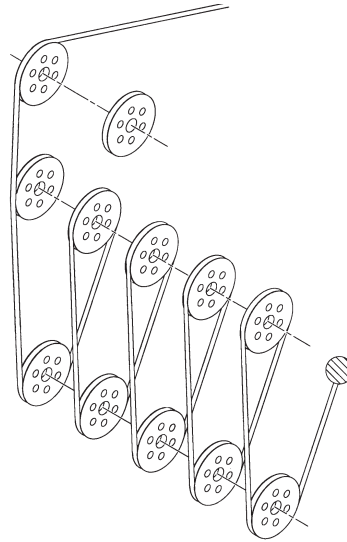
Line pulls and reeving information

| Hoists | Cable specs | Permissible line pulls | Nominal cable length |
|-------------|--|------------------------|----------------------|
| Main | 19 mm (3/4 IN) 6x37 Class, EIPS, IWRC Special Flexible | 16,800 lb | 600 ft |
| | 19 mm (3/4) Flex-X 35 | | |
| Main & Aux. | Rotation Resistant (non-rotating) | 16,800 lb | 607 ft |
| | Min. Breaking Strength 85,800 lb. | | |

The approximate weight of 3/4 in wire rope is 1.5 lb/ft

Boom section vs. section extension percentages

| Boom sections: | Main boom length in feet | | | | | | | | | |
|----------------|--------------------------|----|----|-----|-----|-----|-----|-----|-----|-----|
| | 41.3 | 50 | 60 | 70 | 80 | 90 | 100 | 110 | 120 | 128 |
| Inner-mid | 0 | 30 | 65 | 100 | 100 | 100 | 100 | 100 | 100 | 100 |
| Outer-mid | 0 | 0 | 0 | 0 | 17 | 34 | 52 | 69 | 86 | 100 |
| Fly | 0 | 0 | 0 | 0 | 17 | 34 | 52 | 69 | 86 | 100 |



Hoist performance

| Wire rope layer | Hoist line pulls Two speed hoist | | Drum rope capacity (ft) 15 in drum | |
|-----------------|----------------------------------|--------------------|------------------------------------|-------|
| | Low Available lb* | High Available lb* | Layer | Total |
| 1 | 20,250 | 9610 | 101 | 101 |
| 2 | 18,490 | 8770 | 110 | 211 |
| 3 | 17,010 | 8070 | 120 | 331 |
| 4 | 15,750 | 7470 | 129 | 460 |
| 5 | 14,660 | 6960 | 139 | 599 |

*Max. lifting capacity: 6x37 or 35x7 class = 16,800 lb

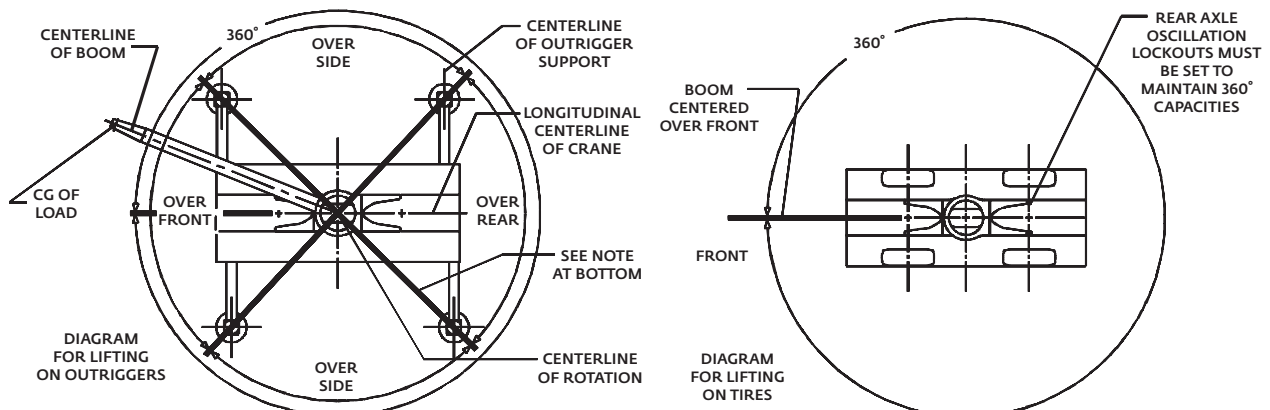
Installation and removal of counterweight and auxiliary hoist

Rated lifting capacities in pounds on outriggers fully extended - 360°

| Radius in feet | LMI Code #0801 Main boom length 41.3 ft* |
|----------------|--|
| 10 | 24,000 |
| 12 | 24,000 |
| 15 | 24,000 |
| 20 | 24,000 |
| 25 | 24,000 |
| 30 | 24,000 |

*The boom must be fully retracted.

Working area diagram



Bold lines determine the limiting position of any load for operation within working areas indicated.

THIS CHART IS ONLY A GUIDE AND SHOULD NOT BE USED TO OPERATE THE CRANE.

Symbols glossary



Axles



Counterweight



Grade



Outriggers



Boom



Drive



Height (no max)



Radius



Boom elevation



Electrical system



Heavy duty jib



Rotation



Boom extension



Engine



Hoist



Speed



Boom length



Extension



Hookblock



Steering



Boom nose



Frame



Hydraulic system



Suspension



Brakes



Fuel tank capacity



Lights



Swing



Cab



Gear



Oil



Tires



Outrigger controls



Transmission

Notes

Manیتowoc Cranes

Regional headquarters

Americas

Manیتowoc, Wisconsin, USA

Tel: +1 920 684 6621

Fax: +1 920 683 6277

Shady Grove, Pennsylvania, USA

Tel: +1 717 597 8121

Fax: +1 717 597 4062

Europe, Middle East, Africa

Ecully, France

Tel: +33 (0)4 72 18 20 20

Fax: +33 (0)4 72 18 20 00

China

Shanghai, China

Tel: +86 21 6457 0066

Fax: +86 21 6457 4955

Greater Asia-Pacific

Singapore

Tel: +65 6264 1188

Fax: +65 6862 4040

Regional offices

Americas

Brazil

Alphaville

Mexico

Monterrey

Chile

Santiago

Europe, Middle East, Africa

Czech Republic

Netvorice

France

Baudemont

Cergy

Decines

Germany

Langenfeld

Hungary

Budapest

Italy

Lainate

Netherlands

Breda

Poland

Warsaw

Portugal

Baltar

Russia

Moscow

U.A.E.

Dubai

U.K.

Buckingham

China

Beijing

Chengdu

Guangzhou

Xian

Greater Asia-Pacific

Australia

Adelaide

Brisbane

Melbourne

Sydney

India

Calcutta

Chennai

Delhi

Hyderabad

Pune

Korea

Seoul

Philippines

Makati City

Singapore

Factories

Brazil

Alphaville

China

TaiAn

Zhangjiagang

France

Charlieu

Moulines

Germany

Wilhelmshaven

India

Pune

Italy

Niella Tanaro

Portugal

Baltar

Fânzeres

Slovakia

Saris

USA

Manیتowoc

Port Washington

Shady Grove

This document is non-contractual. Constant improvement and engineering progress make it necessary that we reserve the right to make specification, equipment, and price changes without notice. Illustrations shown may include optional equipment and accessories and may not include all standard equipment.